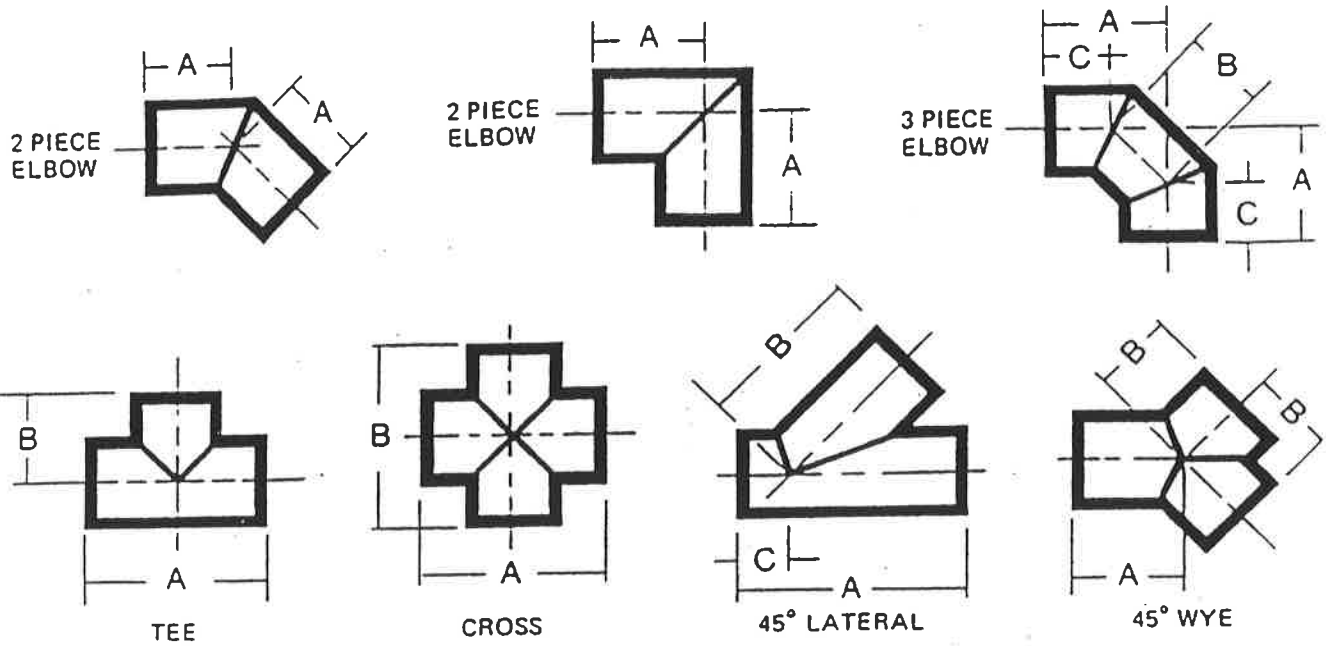
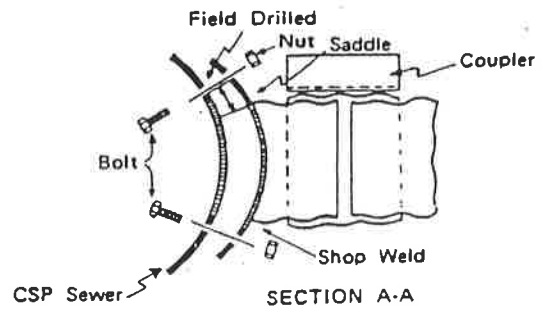
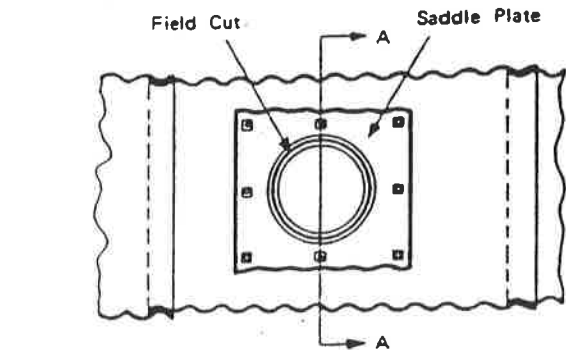


Fabricated Corrugated Steel Pipe Fittings

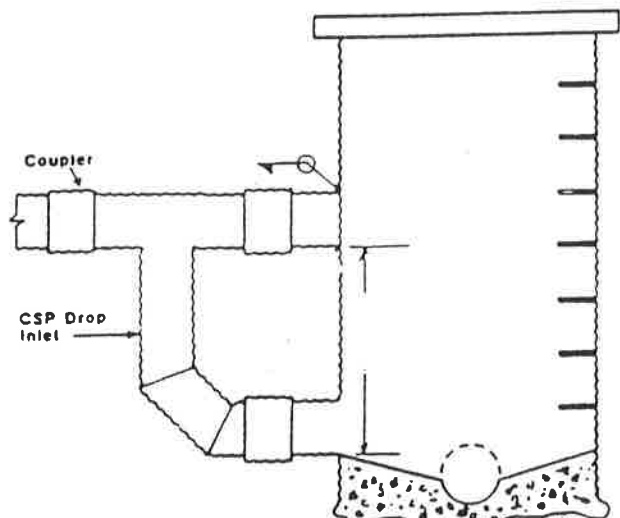
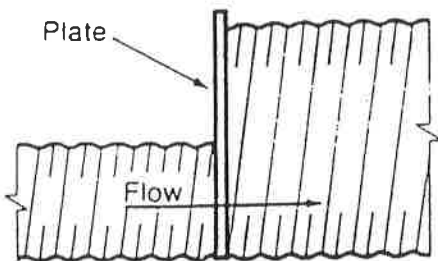


Loose Saddle

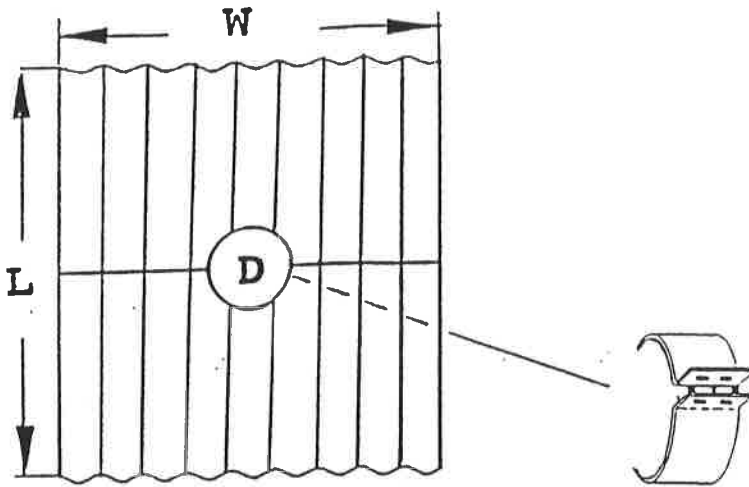


Manhole

Enlarger



Anti-Seep Collar



D	Gauge	W	L
8"	16	56"	56"
10"	16	58"	58"
12"	16	60"	60"
15"	16	63"	63"
18"	16	66"	66"
21"	16	70"	70"
24"	14	72"	72"
30"	14	78"	78"
36"	12	84"	84"
42"	12	90"	90"
48"	12	96"	96"
54"	12	102"	102"
60"	10	108"	108"
66"	10	114"	114"
72"	10	120"	120"
84"	8	132"	132"

Universal connecting band to be welded to the anti seep collar.

Typical CSP Water Control Structure

