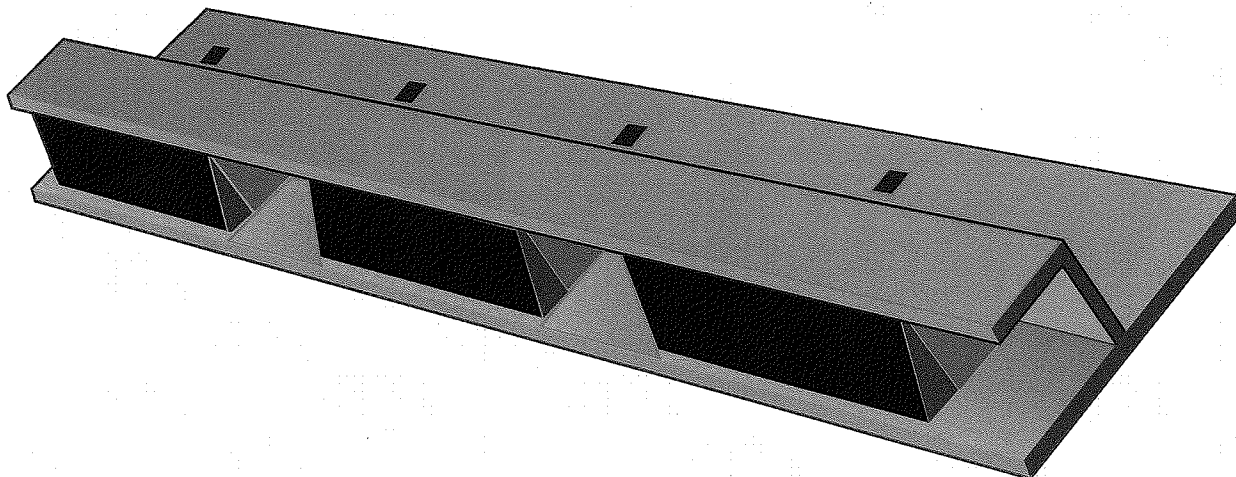


VALLITE™ HIGHWEAR® WING BLADES



- **VALLITE™ HIGHWEAR® WING BLADES** are manufactured from castings containing a high content of nickel alloy, combined with a VALLITE™ wear blade to achieve maximum hardness and giving them longer wearing properties than normal cast iron products and standard steel blades!
- VALLITE™ Blade is manufactured from heat treated tru-hardened steel that gives maximum abrasion resistance and edge strength.
- VALLITE™ Heat treated blade is reinforced by “Highwear®” Nihard blocks supported by welded brackets and located at one foot intervals along entire length of blade.
- Thickness: 5/8" width 6".
- Lengths: – available in various lengths to accomodate all OEM manufacturers.
- Hole Design is countersunk square punched to accomodate 5/8" plow bolts.